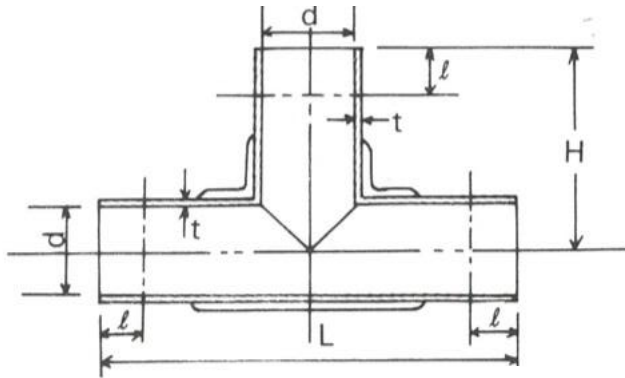


FRP PIPE

T FITTING



Unit: m/m

Item	Nominal Size	d	t	l	L	H
1	25 (1")	25	2.5	50	230	115
2	40 (1 1/2")	40	2.5	50	250	125
3	50 (2")	50	2.5	55	300	150
4	65 (2 1/2")	65	3	60	350	175
5	75 (3")	75	3.5	60	380	190
6	100 (4")	100	4.5	70	440	220
7	125 (5")	125	4.5	80	470	235
8	150 (6")	150	4.5	100	530	265
9	200 (8")	200	5	120	640	320
10	250 (10")	250	5.5	145	760	380
11	300 (12")	300	6		870	435
12	350 (14")	355.6	6.5		990	495
13	400 (16")	406.4	7.5		1,120	560
14	450 (18")	457.2	8		1,240	620
15	500 (20")	508	9		1,360	680
16	600 (24")	600	11		1,590	795